

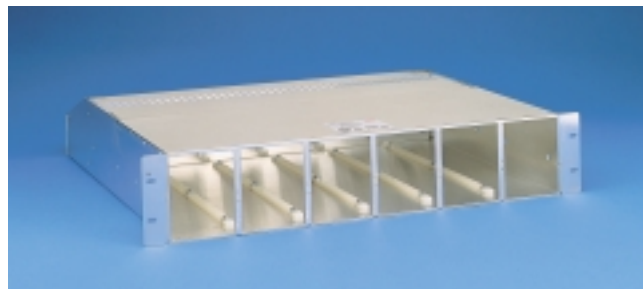
# TRS Power Rack Systems N + 1 Redundant



## FEATURES:

- N+1 redundancy
- Front access
- Hot pluggability
- Up to 6 KW in one 3U (5 1/4") rack
- Field configurable
- Single phase or 3 phase input
- Blank filler panels available
- Fits 19" rack

Consult factory for Value Added instrumentation and Custom Paint Color options.

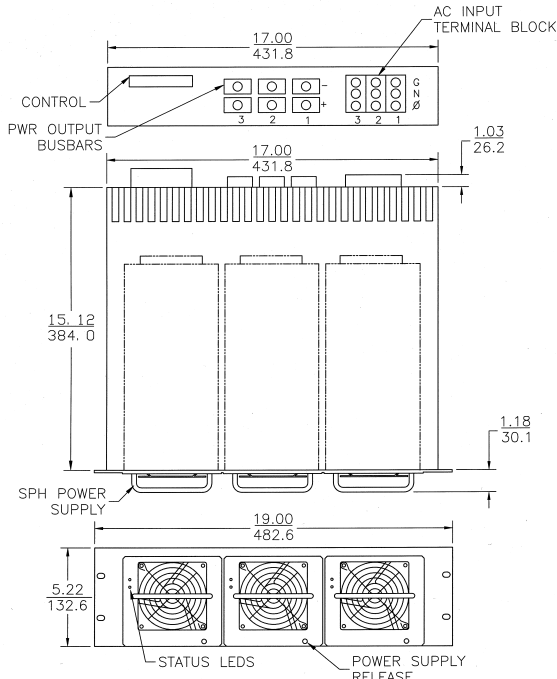


Model	Panel Height	Mounts	Power Modules
TRS-3-3	3U (5 1/4")	From 1 to 3	SPH 1200
TRS-2-3	2U (3 1/2")	From 1 to 3	TCM 1000
TRS -3-6	3U (5 1/4")	From 1 to 6	TCM 1000



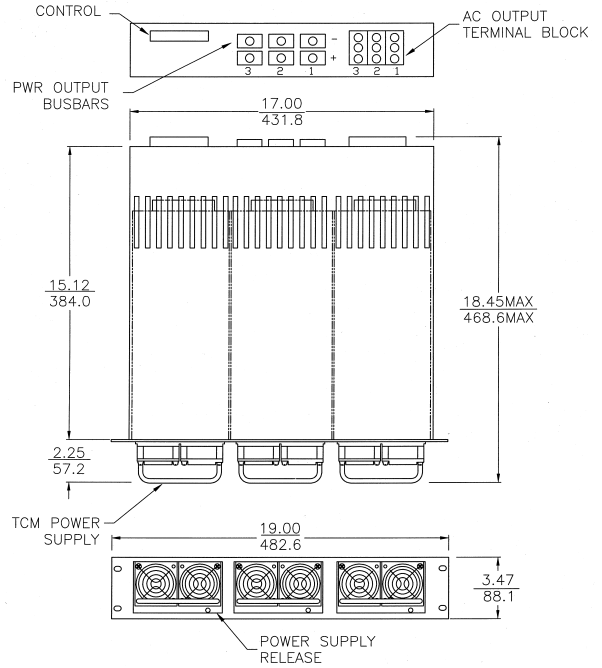
Condor D.C. Power Supplies, Inc., 2311 Statham Parkway, Oxnard, CA 93033  
800-235-5929 • 805-486-4565 • FAX 805-487-8911 • www.condorpower.com

**TRS-3-3**



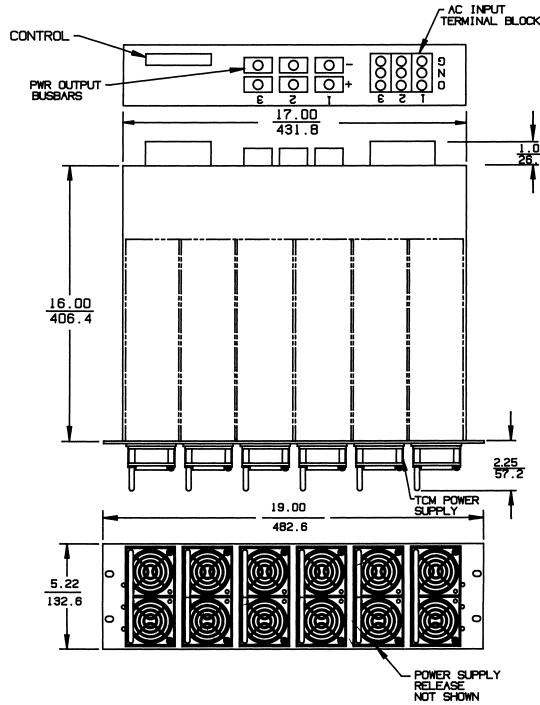
3U (5<sup>1</sup>/<sub>4</sub>" ) panel height, mounts from 1 to 3  
SPH 1200 Power Modules

**TRS-2-3**



2U (3<sup>1</sup>/<sub>2</sub>" ) panel height, mounts from 1 to 3  
TCM 1000 Power Modules

**TRS-3-6**



3U (5<sup>1</sup>/<sub>4</sub>" ) panel height, mounts from 1 to 6  
TCM 1000 Power Modules

NOTES: Racks and power supplies are shipped separately

Dimensions: Inches  
Millimeters

